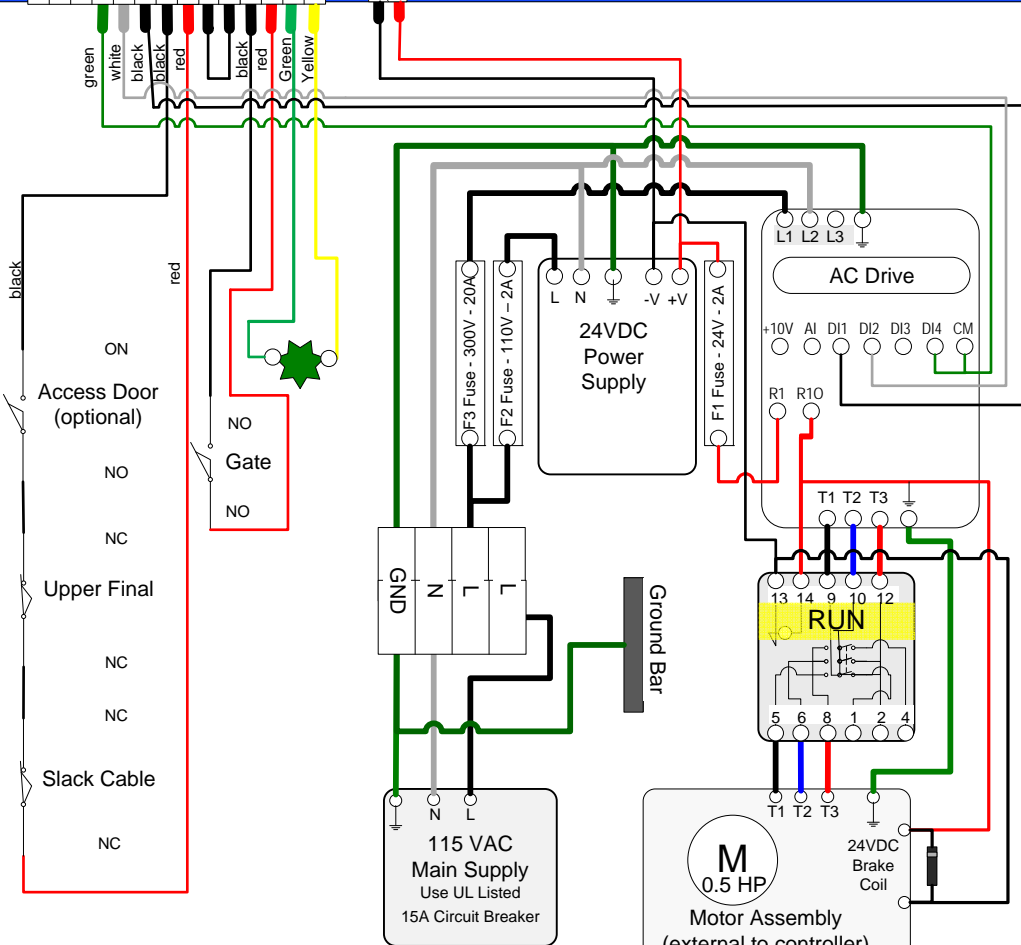


CPLD-4 STOP



Date: 1/22/20
 Drawing: CPLD 4-Stop
 Description: CPLD Logic