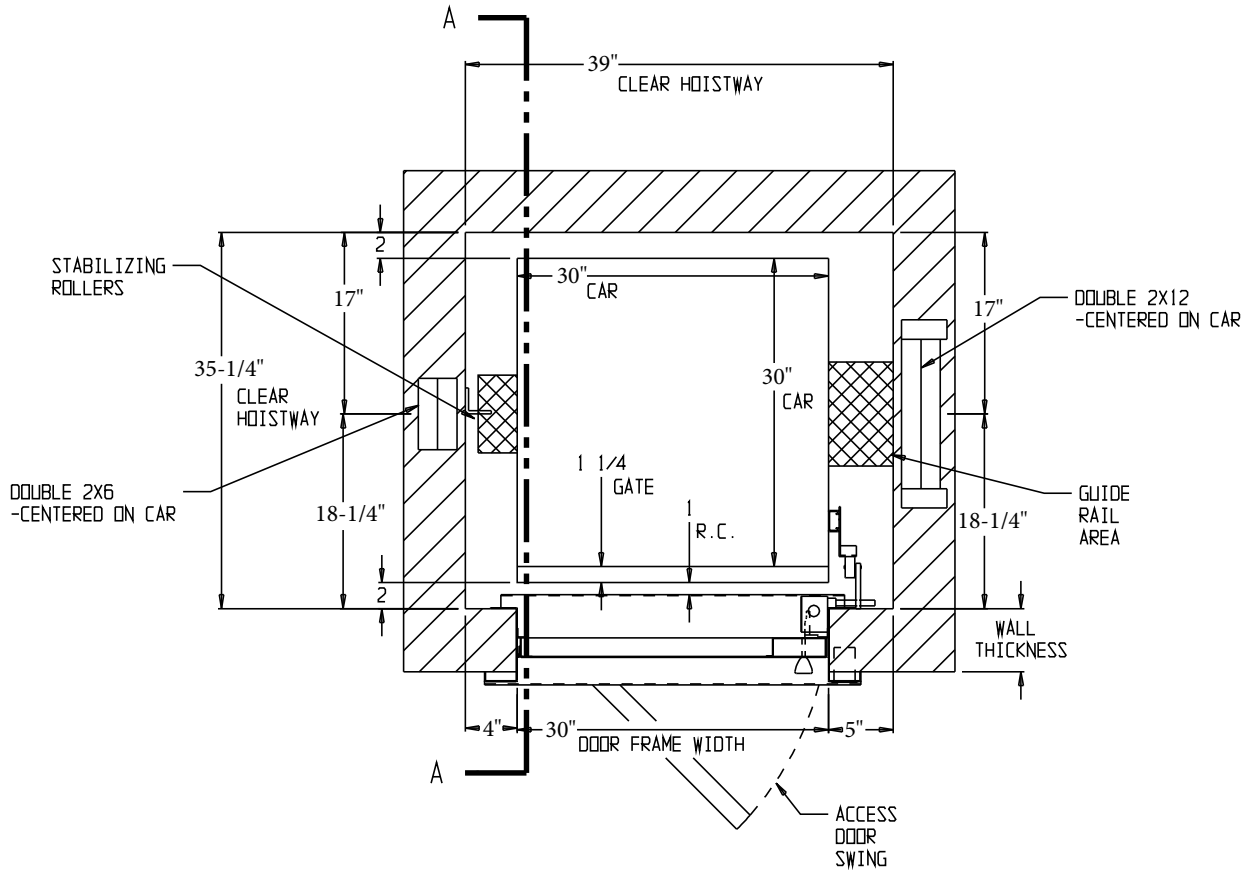


(SEE DRAWING NO. 1000-501 FOR SECTION ELEVATION "A-A")



Compliant with all current ASME A17.1 & CSA B44 Code

REVISIONS

REV	DESCRIPTION	DATE	BY
<input checked="" type="checkbox"/>			

STOPS: 2  IN-LINE  OPP.

OPENINGS: 2 @ LOWER, UPPER

TRAVEL: T.B.D. RATED LOAD: 250 LBS

HOISTWAY DOORS	<input type="checkbox"/> BI-PARTING	DRYWALL CONSTRUCTION
	<input checked="" type="checkbox"/> SWING	MASONRY CONSTRUCTION
	<input type="checkbox"/> FLOOR LOADING	PLAIN STEEL - PRIMED
	<input checked="" type="checkbox"/> STAINLESS SILLS	STAINLESS STEEL - #4
	<input checked="" type="checkbox"/> FUSIBLE LINK	COUNTER LOADING
	<input checked="" type="checkbox"/> 1 1/2 HR UL "B" LABEL	
	<input checked="" type="checkbox"/> EMERGENCY RELEASE	
<input checked="" type="checkbox"/> NON-PLUGABLE INTERLOCK		

<input checked="" type="checkbox"/> G.A.L. TYPE "SN" DOOR LOCK
<input type="checkbox"/> OTHER

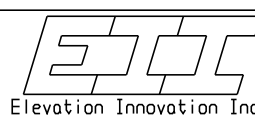
JAMB MOUNTED 24V GEN-II KEYPAD WITH IN USE AND CAR HERE LIGHTS

CAR GATE	<input type="checkbox"/> PLAIN STEEL	<input checked="" type="checkbox"/> STAINLESS STEEL - #4
	<input checked="" type="checkbox"/> BI-PARTING	COLLAPSIBLE
	<input type="checkbox"/> SLIDE-UP	BY EII
ACCESS DOOR	<input type="checkbox"/> PLAIN STEEL	STAINLESS STEEL - #4
	<input checked="" type="checkbox"/> 1 1/2 HR UL "B"	NONE / BY OTHERS

HOISTWAY TO BE BUILT BEFORE DUMBWAITER IS INSTALLED EXCEPT THE WALLS ARE TO BE OMITTED WHERE HOISTWAY DOORS OCCUR UNTIL THE DUMBWAITER IS INSTALLED & HOISTWAY DOORS ARE SET IN PLACE

SPECIAL REQUIREMENTS  
 DRIVE TYPE: WINDING DRUM  
 RATED SPEED: 30 FPM  
 CONTROLLER MODEL: INTELI-LIFT  
 POWER: 115V 20 AMP

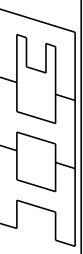
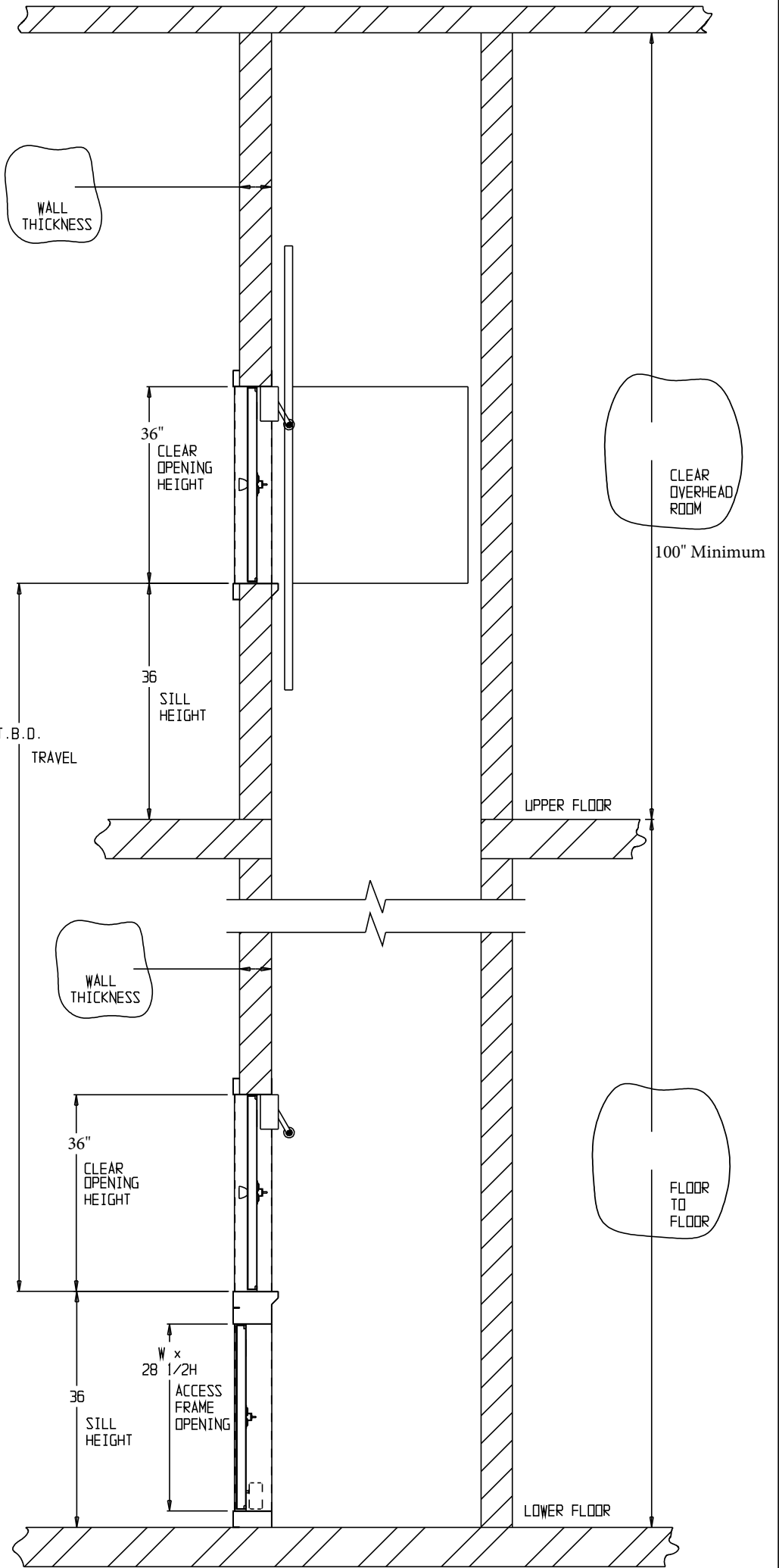
CUSTOMER	JOB NAME	SHIP TO

TITLE: Inteli-Lift Pro 250 30x30x36 Same Side with Bi-parting Gate & Swing Doors		
APPROVED		
DATE	SHEET 1	

REV	DESCRIPTION	DATE	BY

REVISIONS

CUSTOMER		JOB NAME		SHIP TO	
TITLE: DUMBWATER SECTION ELEVATION "A-A"				SEE PAGE 1	
APPROVED	DATE REQ	SHEET	2	Elevation Innovation Inc	
DATE L.O.					



Elevation Innovation Inc