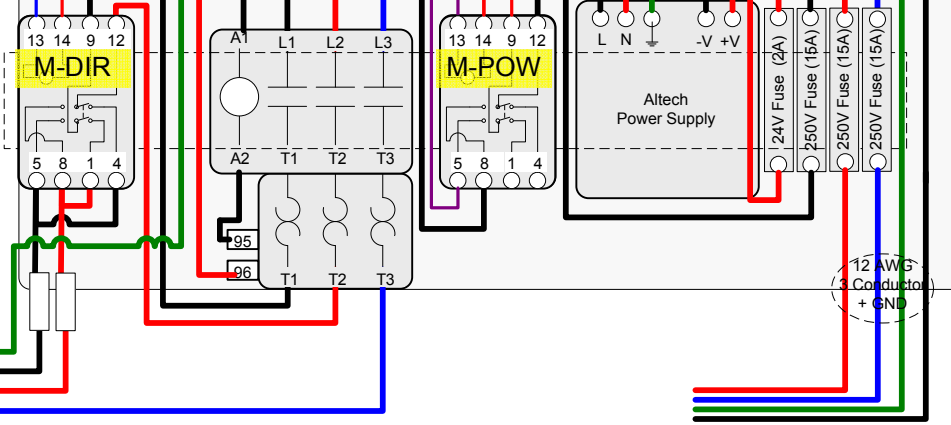
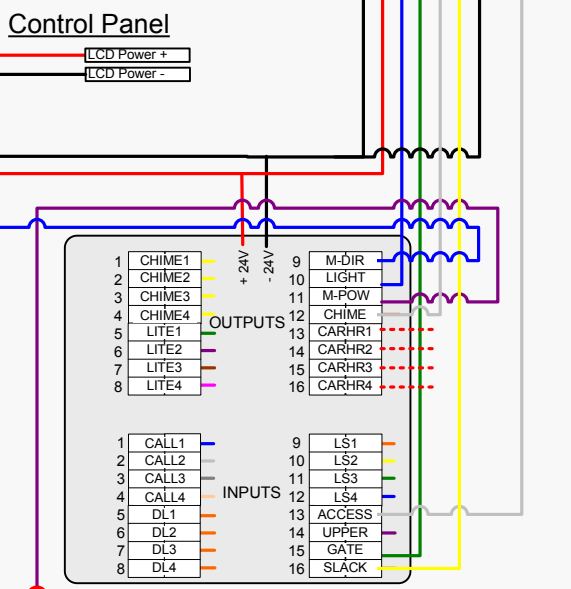
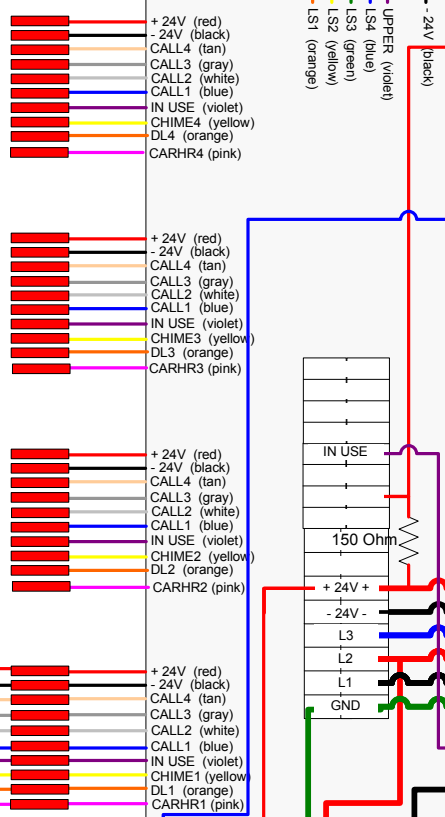
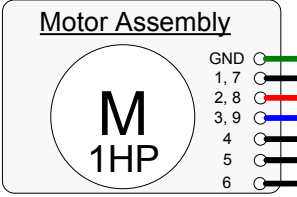
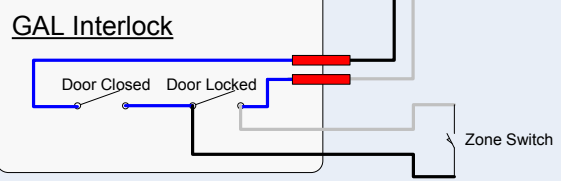
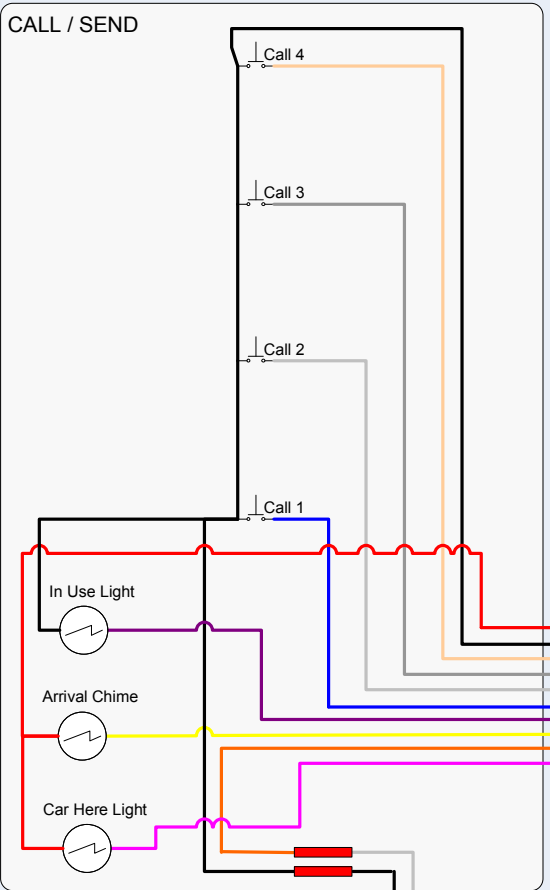


# 240V - 3 Phase - KAFKA

Gray area represents external wiring

Hoistway Limit Switches



Use UL Listed Circuit Breaker (not to exceed 20A)

12 AWG  
3 Conductor  
+ GND

12 AWG  
4 Wires in Flex

25 AWG  
12 Conductor

