



**Elevation Innovation Inc.**

TITLE: INTELL-LIFT 75 DUMBWATER

DOORS - FRONT/BACK WITH GATES  
18"W x 18"H x 24"H 75 lb. Capacity

REV	DESCRIPTION	DATE	BY

STOPS: 2  IN-LINE  OPP.  
 OPENINGS: 2 @ LOWER, UPPER.  
 TRAVEL: I.B.O.

<input checked="" type="checkbox"/> FRONT/BACK	<input checked="" type="checkbox"/> DRYWALL CONSTRUCTION
<input checked="" type="checkbox"/> FLOOR LOADING	<input checked="" type="checkbox"/> MASONRY CONSTRUCTION
<input checked="" type="checkbox"/> COUNTER LOADING	<input checked="" type="checkbox"/> PLAIN STEEL - PRIMED
<input checked="" type="checkbox"/> HOISTWAY DOORS	<input checked="" type="checkbox"/> STAINLESS STEEL - #4
<input checked="" type="checkbox"/>	<input checked="" type="checkbox"/>
<input checked="" type="checkbox"/>	<input checked="" type="checkbox"/>
<input checked="" type="checkbox"/>	<input checked="" type="checkbox"/>
<input checked="" type="checkbox"/>	<input checked="" type="checkbox"/>

<input checked="" type="checkbox"/>	<input checked="" type="checkbox"/>
<input checked="" type="checkbox"/>	<input checked="" type="checkbox"/>
<input checked="" type="checkbox"/>	<input checked="" type="checkbox"/>
<input checked="" type="checkbox"/>	<input checked="" type="checkbox"/>
<input checked="" type="checkbox"/>	<input checked="" type="checkbox"/>
<input checked="" type="checkbox"/>	<input checked="" type="checkbox"/>

WALL MOUNTED 24V PUSHBUTTON STATIONS:  
 NON-ILLUMINATED  ILLUMINATED  
 BUTTONS:  1  2  3  4  5

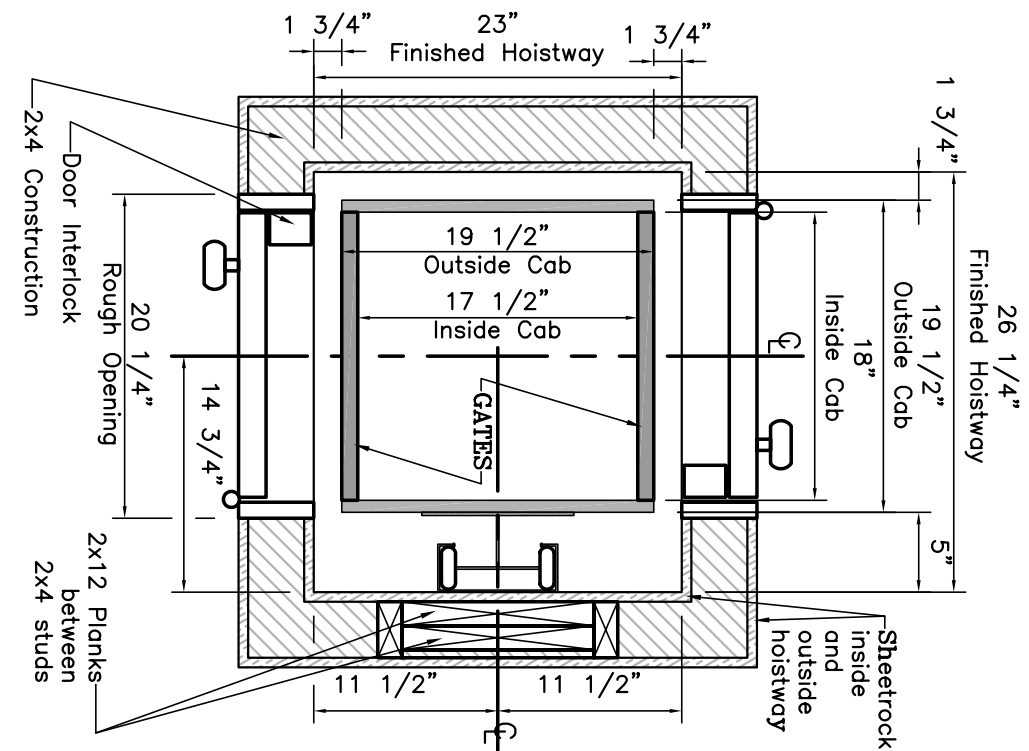
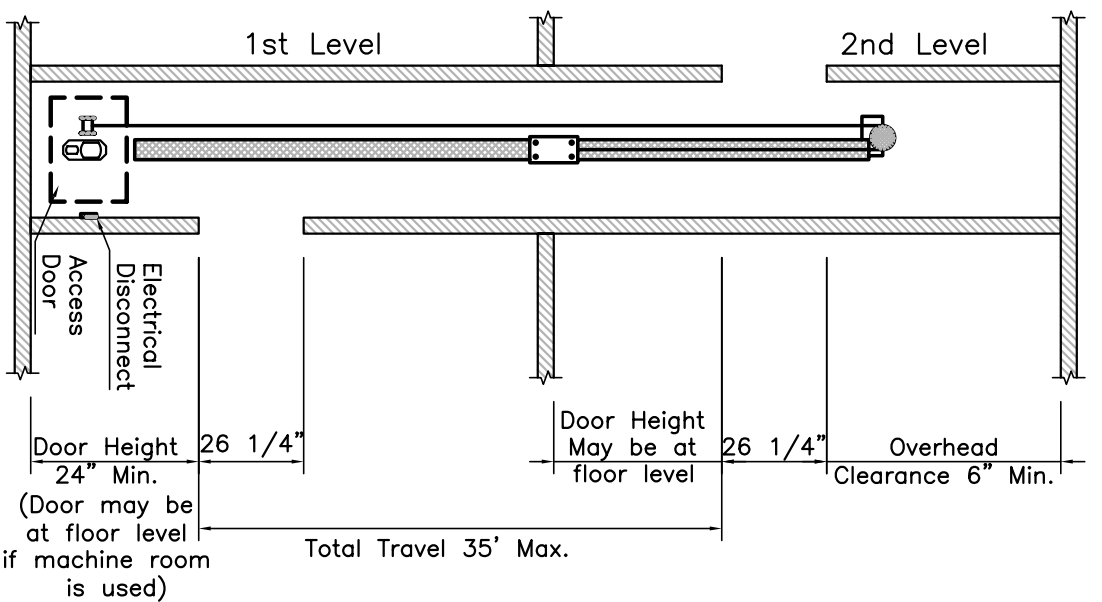
CAR GATE	<input checked="" type="checkbox"/> BIRCH WOOD	
ACCESS DOOR	<input checked="" type="checkbox"/> SLIDE-UP	BY: EII
	<input checked="" type="checkbox"/> PLAIN STEEL	STAINLESS STEEL - #4
	<input checked="" type="checkbox"/> WOOD	BY OTHERS

DUMBWATER CAN BE INSTALLED THRU ROUGH OPENING HOWEVER INSTALLATION IS EASIER IF THE BOTTOM FLOOR DOOR WALL IS LEFT OFF UNTIL UNIT IS INSTALLED.

POWER SUPPLY: A LOCKABLE FUSED DISCONNECT MUST BE PROVIDED IN ACCORDANCE WITH LOCAL ELECTRICAL CODES. THE SUPPLY MUST BE A 115V, 20A DEDICATED CIRCUIT.

DOORS: DOORS MUST MEET LOCAL FIRE CODE. INTERLOCK DEVICES ARE PROVIDED AND MUST BE MOUNTED TO DOORS AS DIRECTED IN THE INSTALLATION GUIDE.

CUSTOMER:	
SHIP TO:	
APPROVED BY:	
DATE APPROVED:	
JOB NAME:	
SHEET	1 OF 1
DATE:	10/26/09
DWG NO.	-----



HOISTWAY: THE HOISTWAY MUST BE IN ACCORDANCE WITH "SAFETY CODE FOR ELEVATORS AND ESCALATORS" (ASME A17.1) AND ALL STATE AND LOCAL CODES.

PLUMB HOISTWAY: DUE TO CLOSE RUNNING CLEARANCES OWNER/AGENT MUST ENSURE THAT HOISTWAY IS PLUMB, AND SQUARE AND IS IN ACCORDANCE WITH DIMENSIONS ON THESE DRAWINGS.

REINFORCED WALL: THE RAIL WALL MUST BE REINFORCED WITH DOUBLE 2X12 PLANKS AS SHOWN ON THE DRAWINGS. THE MACHINE AND RAIL SYSTEM REQUIRES THESE 2X12 PLANKS FOR SUPPORT.

MACHINE ROOM: MACHINE ROOM MAY BE LOCATED WITHIN THE HOISTWAY ON THE BOTTOM FLOOR OR IN A CLOSET ADJACENT TO THE HOISTWAY (BEHIND THE RAIL WALL). THE MACHINE ROOM MUST HAVE A LOCKABLE ACCESS DOOR. THIS DOOR MUST REMAINED LOCKED AT ALL TIMES.

POWER SUPPLY: A LOCKABLE FUSED DISCONNECT MUST BE PROVIDED IN ACCORDANCE WITH LOCAL ELECTRICAL CODES. THE SUPPLY MUST BE A 115V, 20A DEDICATED CIRCUIT.

DOORS: DOORS MUST MEET LOCAL FIRE CODE. INTERLOCK DEVICES ARE PROVIDED AND MUST BE MOUNTED TO DOORS AS DIRECTED IN THE INSTALLATION GUIDE.