

Compliant with all current ASME A17.1 & CSA B44 Codes

REVISIONS			
REV	DESCRIPTION	DATE	BY
<input checked="" type="checkbox"/>			JP

STOPS: 2  IN-LINE  OPP.  
 OPENINGS: 2 @ Upper & Lower  
 TRAVEL: TBD RATED LOAD: 500 lb

HOISTWAY DOORS	<input checked="" type="checkbox"/> BI-PARTING	DRYWALL CONSTRUCTION
	<input type="checkbox"/> SLIDE-UP	MASONRY CONSTRUCTION
	<input type="checkbox"/> FLOOR LOADING	PLAIN STEEL - PRIMED
	<input checked="" type="checkbox"/> STAINLESS SILLS	<input checked="" type="checkbox"/> STAINLESS STEEL - #4
	<input checked="" type="checkbox"/> FUSIBLE LINK	<input checked="" type="checkbox"/> COUNTER LOADING
	<input checked="" type="checkbox"/> 1 1/2 HR UL "B" LABEL	
	<input checked="" type="checkbox"/> EMERGENCY RELEASE	
<input checked="" type="checkbox"/> NON-PLUGABLE INTERLOCK		

<input checked="" type="checkbox"/> HG-1 SINGLE CONTACT DOOR LOCK & CONTACT NEMA 1
<input type="checkbox"/> HG-2 DOUBLE CONTACT INTERLOCK NEMA 1

JAMB MOUNTED 24V GEN-II KEYPAD WITH IN USE AND CAR HERE LIGHTS

CAR GATE	<input type="checkbox"/> PLAIN STEEL	<input checked="" type="checkbox"/> STAINLESS STEEL - #4
	<input checked="" type="checkbox"/> BI-PARTING	COLLAPSIBLE
	<input type="checkbox"/> SLIDE-UP	<input checked="" type="checkbox"/> BY EII

ACCESS DOOR	<input type="checkbox"/> PLAIN STEEL	<input checked="" type="checkbox"/> STAINLESS STEEL - #4
	<input checked="" type="checkbox"/> 1 1/2 HR UL "B"	NONE / BY OTHERS

HOISTWAY TO BE BUILT BEFORE DUMBWAITER IS INSTALLED EXCEPT THE WALLS ARE TO BE OMITTED WHERE HOISTWAY DOORS OCCUR UNTIL THE DUMBWAITER IS INSTALLED & HOISTWAY DOORS ARE SET IN PLACE

SPECIAL REQUIREMENTS  
 DRIVE TYPE: WINDING DRUM  
 RATED SPEED: 50 FPM  
 CONTROLLER MODEL: INTELI-LIFT  
 POWER: 208-230V SINGLE OR 3 PHASE 20 AMP

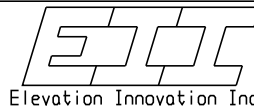
CUSTOMER

JOB NAME

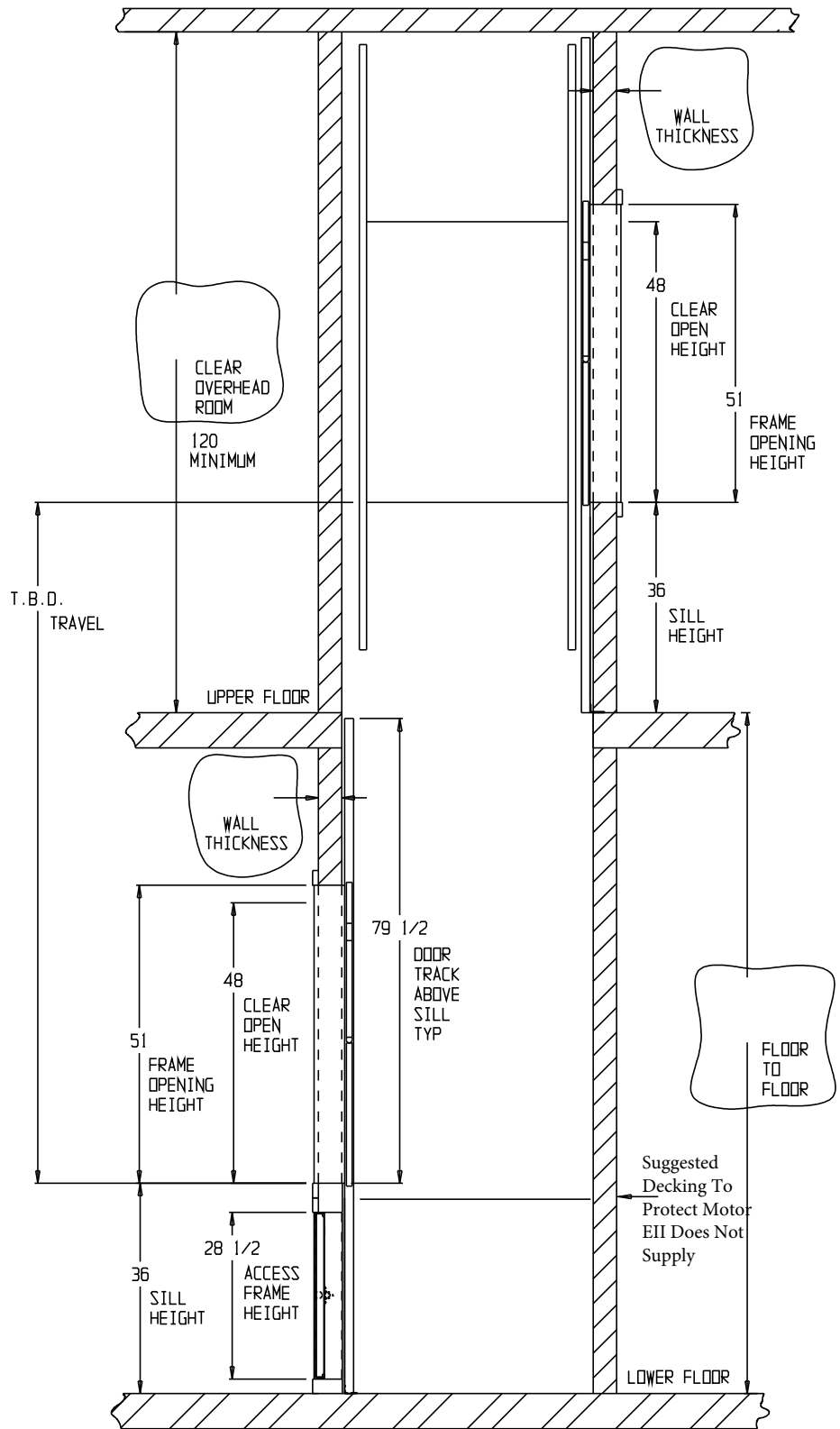
SHIP TO  
T.B.D.

TITLE: Inteli-Lift 36 x 36 x 48 Front Back with Bi-Parting Gates

APPROVED	
DATE	SHEET 1 OF 2



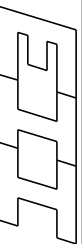
Elevation Innovation Inc  
JOB NO.



REVISIONS

REV	DESCRIPTION	DATE	BY

CUSTOMER	JOB NAME	SHIP TO
TITLE: DUMBWATER SECTION ELEVATION "A-A"		SEE PAGE 1

APPROVED	DATE	 Elevation Innovation Inc JOB NO.