

Compliant with all current ASME A17.1 & CSA B44 Codes

REVISIONS

REV	DESCRIPTION	DATE	BY

STOPS: 2  IN-LINE  OPP.  
 OPENINGS: 2  Upper & Lower  
 TRAVEL: TBD RATED LOAD: 125 Lb

HOISTWAY DOORS	<input checked="" type="checkbox"/> BI-PARTING	DRYWALL CONSTRUCTION
	<input type="checkbox"/> SLIDE-UP	MASONRY CONSTRUCTION
	<input type="checkbox"/> FLOOR LOADING	PLAIN STEEL - PRIMED
	<input checked="" type="checkbox"/> STAINLESS SILLS	<input checked="" type="checkbox"/> STAINLESS STEEL - #4
	<input checked="" type="checkbox"/> FUSIBLE LINK	<input checked="" type="checkbox"/> COUNTER LOADING
	<input checked="" type="checkbox"/> 1 1/2 HR UL "B" LABEL	
<input checked="" type="checkbox"/> EMERGENCY RELEASE		
<input checked="" type="checkbox"/> NON-PLUGABLE INTERLOCK		

<input checked="" type="checkbox"/> HG-1 SINGLE CONTACT DOOR LOCK & CONTACT NEMA 1
<input type="checkbox"/> HG-2 DOUBLE CONTACT INTERLOCK NEMA 1

JAMB MOUNTED 24V GEN-II KEYPAD WITH IN USE AND CAR HERE LIGHTS

CAR GATE	<input type="checkbox"/> PLAIN STEEL	<input checked="" type="checkbox"/> STAINLESS STEEL - #4
	<input checked="" type="checkbox"/> BI-PARTING	COLLAPSIBLE
	<input type="checkbox"/> SLIDE-UP	<input checked="" type="checkbox"/> BY EII

ACCESS DOOR	<input type="checkbox"/> PLAIN STEEL	<input checked="" type="checkbox"/> STAINLESS STEEL - #4
	<input checked="" type="checkbox"/> 1 1/2 HR UL "B"	NONE / BY OTHERS

HOISTWAY TO BE BUILT BEFORE DUMBWAITER IS INSTALLED EXCEPT THE WALLS ARE TO BE OMITTED WHERE HOISTWAY DOORS OCCUR UNTIL THE DUMBWAITER IS INSTALLED & HOISTWAY DOORS ARE SET IN PLACE

SPECIAL REQUIREMENTS  
 DRIVE TYPE: WINDING DRUM  
 RATED SPEED: 30 FPM  
 CONTROLLER MODEL: INTELI-LIFT  
 POWER: 115V 20 AMP

CUSTOMER	JOB NAME	SHIP TO T.B.D.
----------	----------	-------------------

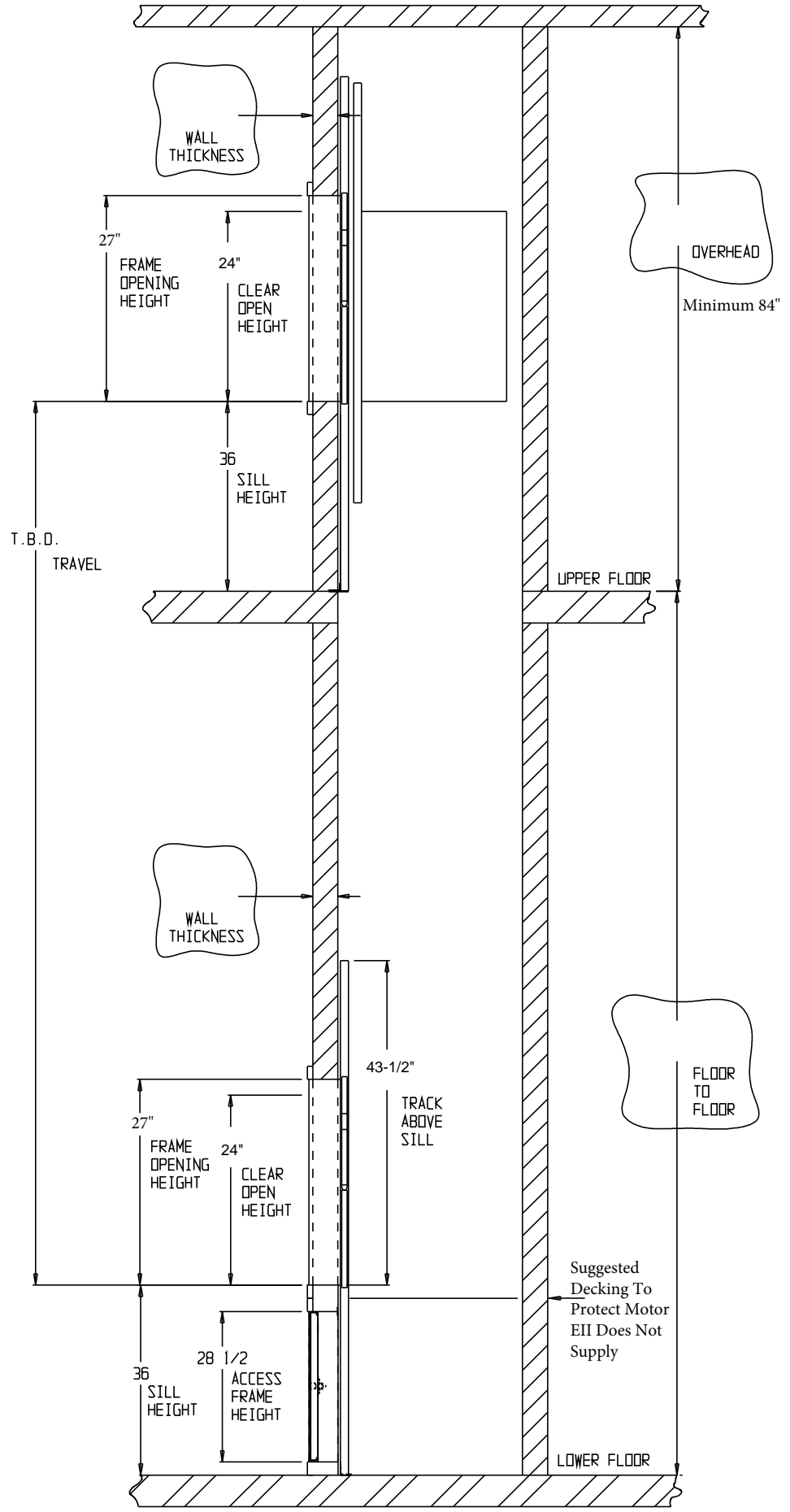
TITLE: Inteli-Lift 24 x 24 x 24 Same Side with Bi-Parting Gate		
APPROVED		
DATE	SHEET	1 OF 2

Elevation Innovation Inc  
JOB NO.

REV	DESCRIPTION	DATE	BY

REVISIONS

TRACK ABOVE SILL =  
 CLEAR OPEN HEIGHT x 1.5 + 7.5



CUSTOMER		JOB NAME		SHIP TO	
TITLE: DUMWATER SECTION ELEVATION "A-A"				SEE PAGE 1	
APPROVED	DATE	SHEET	2 OF 2	Elevation Innovation Inc	
				JOB NO.	

