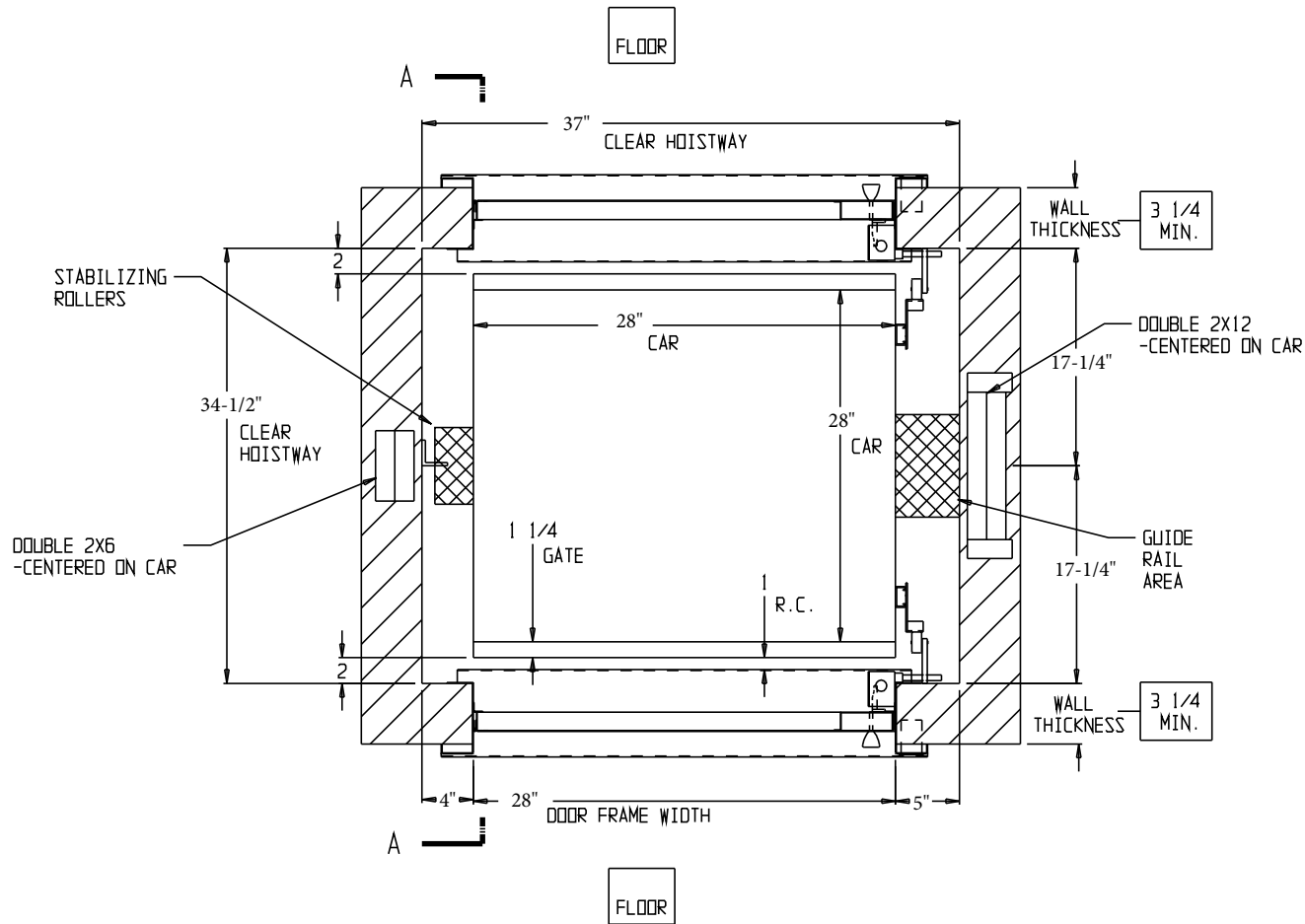


(SEE DRAWING NO. 1000-501 FOR SECTION ELEVATION "A-A")



Compliant with all current ASME A17.1 & CSA B44 Codes

REVISIONS

REV	DESCRIPTION	DATE	BY
<input checked="" type="checkbox"/>			JP

STOPS: 2 IN-LINE OPP.

OPENINGS: 2 @ Upper & Lower

TRAVEL: TBD RATED LOAD: 250 Lb

HOISTWAY DOORS	BI-PARTING	DRYWALL CONSTRUCTION
<input checked="" type="checkbox"/>	SWING	MASONRY CONSTRUCTION
<input type="checkbox"/>	FLOOR LOADING	PLAIN STEEL - PRIMED
<input type="checkbox"/>	STAINLESS SILLS	<input checked="" type="checkbox"/> STAINLESS STEEL - #4
<input type="checkbox"/>	FUSIBLE LINK	<input checked="" type="checkbox"/> COUNTER LOADING
<input checked="" type="checkbox"/>	1 1/2 HR UL "B" LABEL	
<input checked="" type="checkbox"/>	EMERGENCY RELEASE	
<input checked="" type="checkbox"/>	NON-PLUGGABLE INTERLOCK	

<input checked="" type="checkbox"/>	G.A.L. TYPE "SN" DOOR LOCK
<input type="checkbox"/>	OTHER

JAMB MOUNTED 24V GEN-II KEYPAD WITH IN USE AND CAR HERE LIGHTS

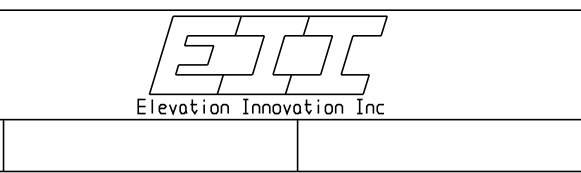
CAR GATE	<input type="checkbox"/>	PLAIN STEEL	<input checked="" type="checkbox"/> STAINLESS STEEL - #4
	<input checked="" type="checkbox"/>	BI-PARTING	COLLAPSIBLE
ACCESS DOOR	<input type="checkbox"/>	SLIDE-UP	<input checked="" type="checkbox"/> BY EII
	<input checked="" type="checkbox"/>	PLAIN STEEL	STAINLESS STEEL - #4
	<input checked="" type="checkbox"/>	1 1/2 HR UL "B"	NONE / BY OTHERS

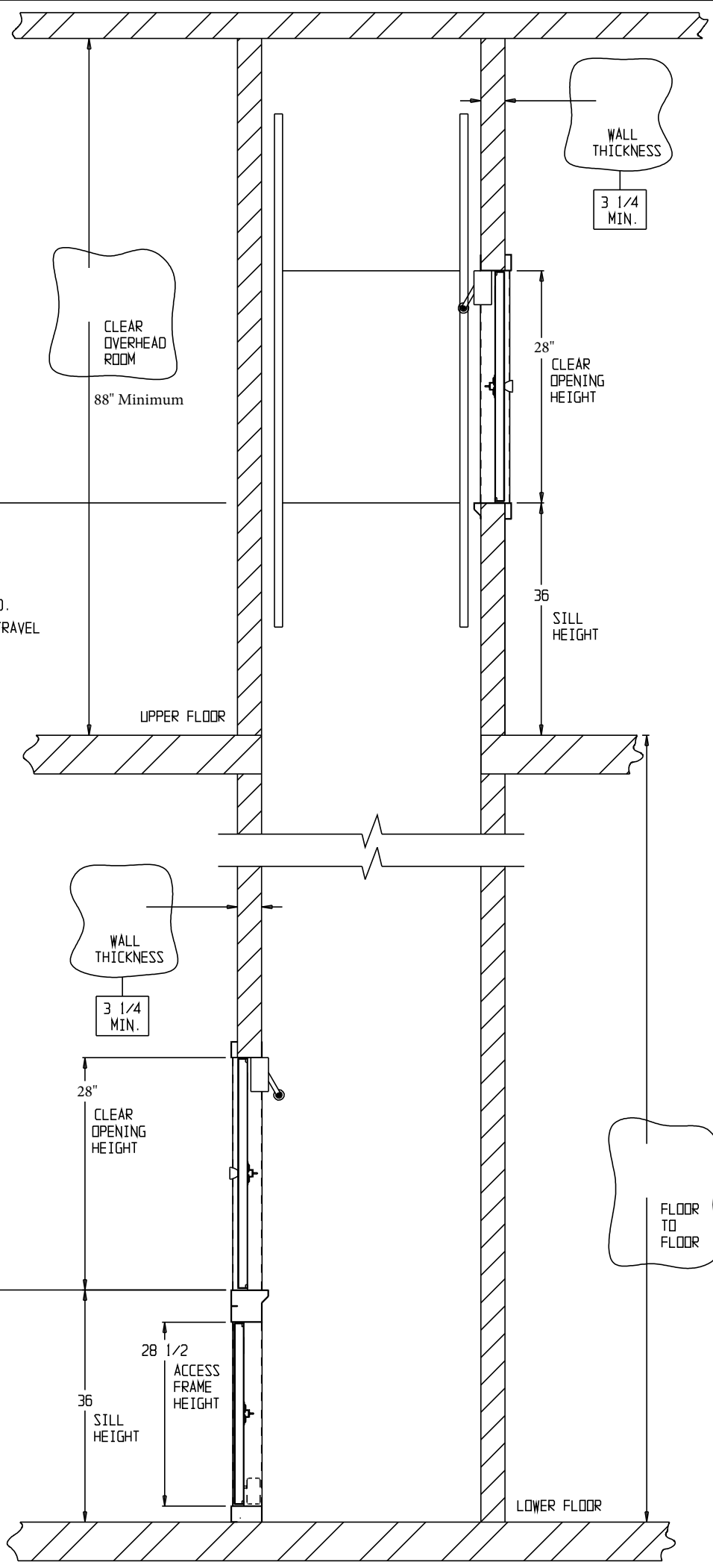
HOISTWAY TO BE BUILT BEFORE DUMBWAITER IS INSTALLED EXCEPT THE WALLS ARE TO BE OMITTED WHERE HOISTWAY DOORS OCCUR UNTIL THE DUMBWAITER IS INSTALLED & HOISTWAY DOORS ARE SET IN PLACE

SPECIAL REQUIREMENTS
 DRIVE TYPE: WINDING DRUM
 RATED SPEED: 30 FPM
 CONTROLLER MODEL: INTELI-LIFT
 POWER: 115V 20 AMP

CUSTOMER	JOB NAME	SHIP TO

TITLE: Inteli-Lift Pro 28 x 28 x 28 Front Back with Bi-Parting Gates		
APPROVED		
DATE	SHEET	1 OF 2





REVISIONS		
REV	DESCRIPTION	DATE

CUSTOMER		JOB NAME		SHIP TO	
TITLE: DUMBWATER SECTION ELEVATION "A-A"		SEE PAGE 1			
APPROVED	DATE	SHEET	2	Elevation Innovation Inc	
				JOB NO.	

