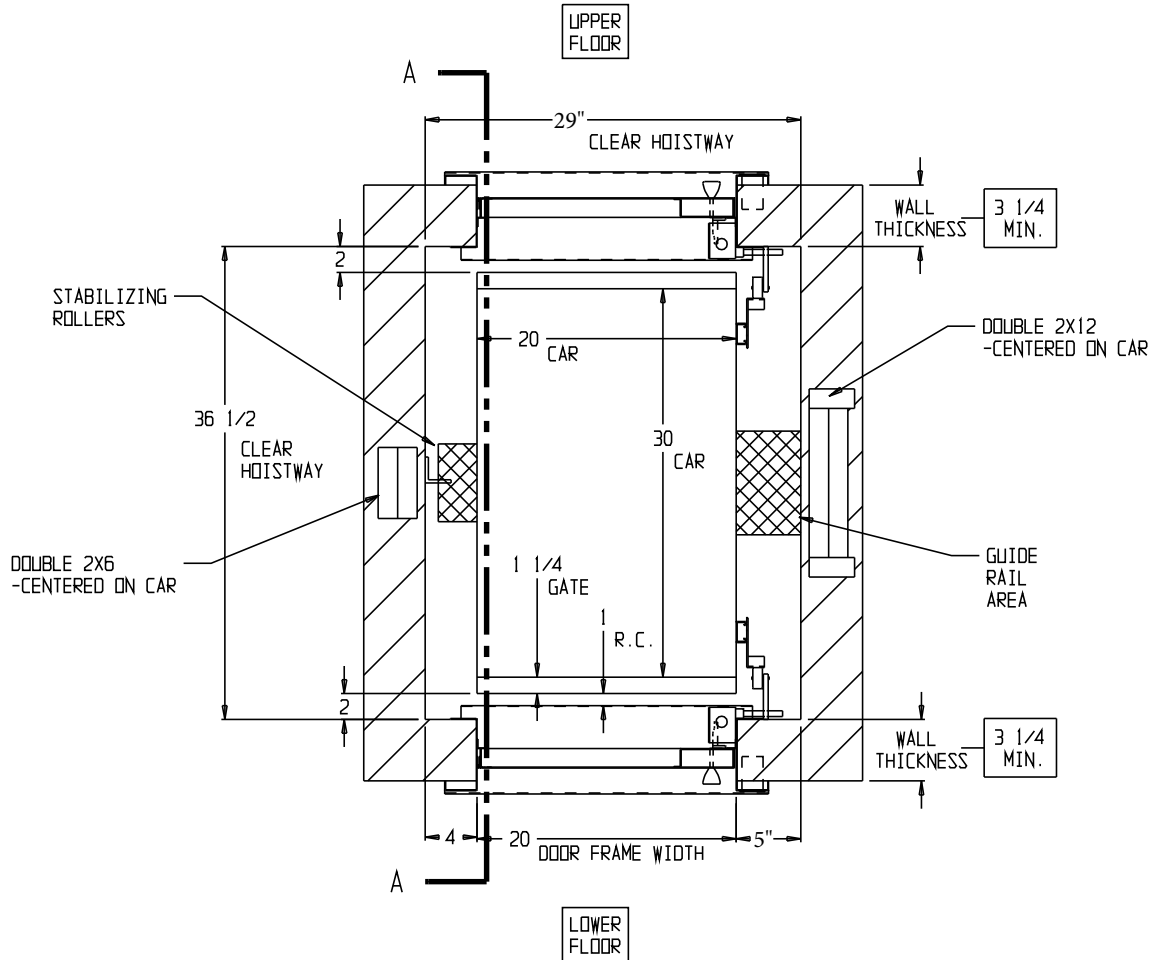


(SEE DRAWING NO. 1000-501 FOR SECTION ELEVATION "A-A")



REVISIONS

REV	DESCRIPTION	DATE	BY

STOPS: 2 IN-LINE OPP.

OPENINGS: 2 @ LOWER, UPPER

TRAVEL: T.B.D. RATED LOAD: 250 LBS

HOISTWAY DOORS	<input type="checkbox"/> BI-PARTING	DRYWALL CONSTRUCTION
	<input checked="" type="checkbox"/> SWING	MASONRY CONSTRUCTION
	<input type="checkbox"/> FLOOR LOADING	PLAIN STEEL - PRIMED
	<input checked="" type="checkbox"/> STAINLESS SILLS	STAINLESS STEEL - #4
	<input checked="" type="checkbox"/> FUSIBLE LINK	COUNTER LOADING
	<input checked="" type="checkbox"/> 1 1/2 HR UL "B" LABEL	
	<input checked="" type="checkbox"/> EMERGENCY RELEASE	
<input checked="" type="checkbox"/> NON-PLUGGABLE INTERLOCK		

<input checked="" type="checkbox"/> G.A.L. TYPE "SN" DOOR LOCK
<input type="checkbox"/> OTHER

JAMB MOUNTED 24V PUSHBUTTON STATIONS:
 NON-ILLUMINATED ILLUMINATED
 BUTTONS: UP DOWN 1 2 3
 LIGHTS: CAR HERE IN USE
 HEADER MOUNTED 24V CAR ARRIVAL LIGHTS

CAR GATE	<input type="checkbox"/> PLAIN STEEL	<input checked="" type="checkbox"/> STAINLESS STEEL - #4
	<input checked="" type="checkbox"/> BI-PARTING	COLLAPSIBLE
	<input type="checkbox"/> SLIDE-UP	ALUMINUM BY EII

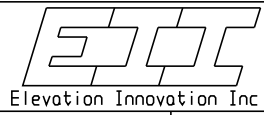
ACCESS DOOR	<input type="checkbox"/> PLAIN STEEL	<input checked="" type="checkbox"/> STAINLESS STEEL - #4
	<input checked="" type="checkbox"/> 1 1/2 HR UL "B"	NONE / BY OTHERS

HOISTWAY TO BE BUILT BEFORE DUMBWAITER IS INSTALLED EXCEPT THE WALLS ARE TO BE OMITTED WHERE HOISTWAY DOORS OCCUR UNTIL THE DUMBWAITER IS INSTALLED & HOISTWAY DOORS ARE SET IN PLACE

SPECIAL REQUIREMENTS
 DRIVE TYPE: WINDING DRUM
 RATED SPEED: 30 FPM
 CONTROLLER MODEL: INTELI-LIFT
 POWER: 115V 20 AMP

CUSTOMER	JOB NAME	SHIP TO T.B.D.	TITLE:

APPROVED	
DATE	SHEET 1 OF 2



REV	DESCRIPTION	DATE	BY

REVISIONS

CUSTOMER		JOB NAME		SHIP TO	
TITLE: DUMBWATER SECTION ELEVATION "A-A"				SEE PAGE 1	
APPROVED	DATE	SHEET	2	Elevation Innovation Inc	

