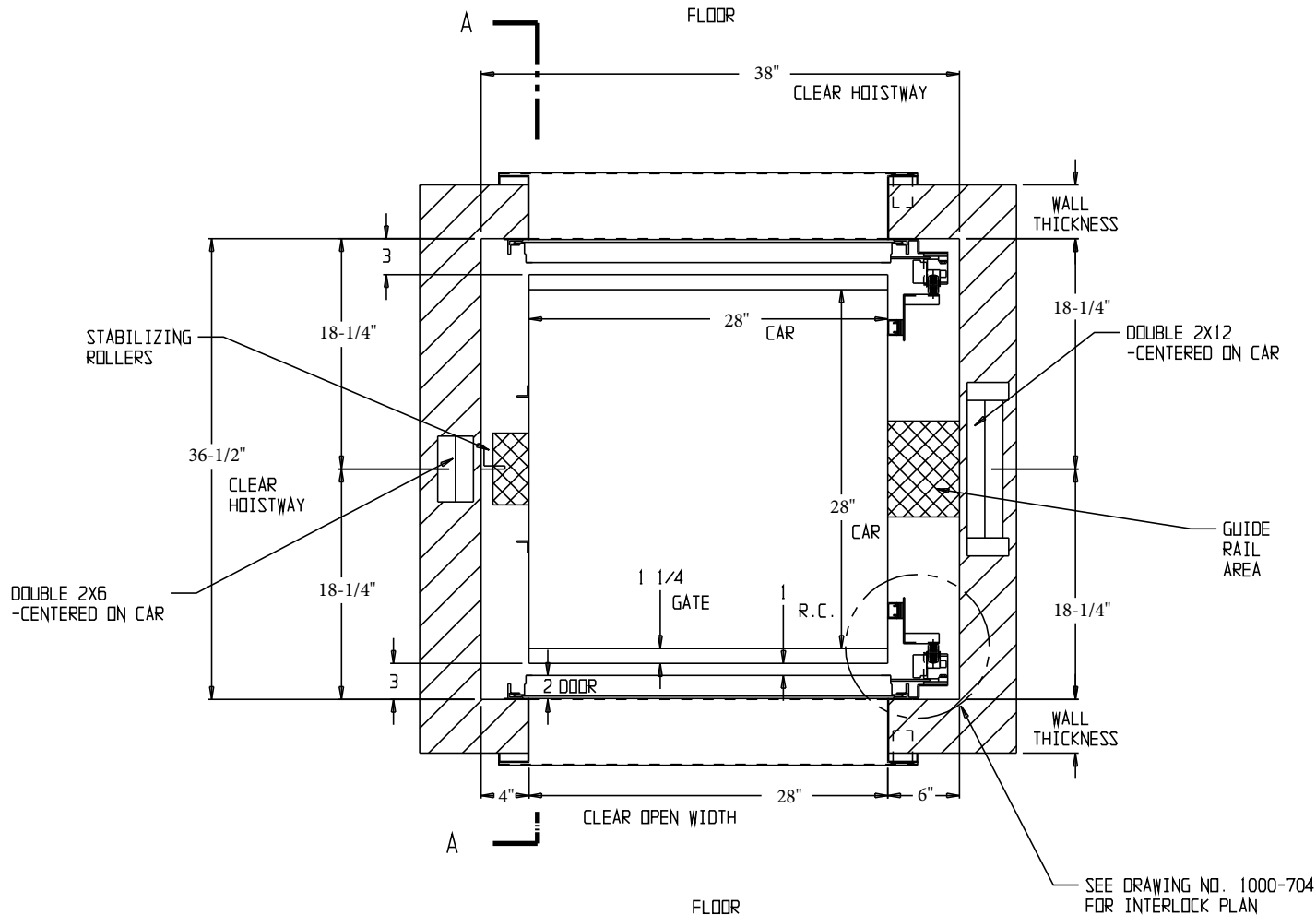


(SEE DRAWING NO. 1000-501 FOR SECTION ELEVATION "A-A")



Compliant with all current ASME A17.1 & CSA B44 Codes

| REVISIONS | | | |
|-----------|-------------|------|----|
| REV | DESCRIPTION | DATE | BY |
| | | | |
| | | | |
| | | | |

STOPS: 2 IN-LINE OPP.
 OPENINGS: 2 @ Upper & Lower
 TRAVEL: TBD RATED LOAD: 250 Lb

| | | |
|--|---|--|
| HOISTWAY DOORS | <input checked="" type="checkbox"/> BI-PARTING | DRYWALL CONSTRUCTION |
| | <input checked="" type="checkbox"/> SWING | MASONRY CONSTRUCTION |
| | <input checked="" type="checkbox"/> FLOOR LOADING | PLAIN STEEL - PRIMED |
| | <input checked="" type="checkbox"/> STAINLESS SILLS | <input checked="" type="checkbox"/> STAINLESS STEEL - #4 |
| | <input checked="" type="checkbox"/> FUSIBLE LINK | <input checked="" type="checkbox"/> COUNTER LOADING |
| | <input checked="" type="checkbox"/> 1 1/2 HR UL "B" LABEL | |
| <input checked="" type="checkbox"/> EMERGENCY RELEASE | | |
| <input checked="" type="checkbox"/> NON-PLUGABLE INTERLOCK | | |

- HG-1 SINGLE CONTACT DOOR LOCK & CONTACT NEMA 1
- HG-2 DOUBLE CONTACT INTERLOCK NEMA 1

JAMB MOUNTED 24V GEN-II KEYPAD WITH IN USE AND CAR HERE LIGHTS

| | | |
|----------|--|--|
| CAR GATE | <input type="checkbox"/> PLAIN STEEL | <input checked="" type="checkbox"/> STAINLESS STEEL - #4 |
| | <input checked="" type="checkbox"/> BI-PARTING | COLLAPSIBLE |
| | <input type="checkbox"/> SLIDE-UP | ALUMINUM BY EII |

| | | |
|-------------|---|--|
| ACCESS DOOR | <input type="checkbox"/> PLAIN STEEL | <input checked="" type="checkbox"/> STAINLESS STEEL - #4 |
| | <input checked="" type="checkbox"/> 1 1/2 HR UL "B" | NONE / BY OTHERS |

HOISTWAY TO BE BUILT BEFORE DUMBWAITER IS INSTALLED EXCEPT THE WALLS ARE TO BE OMITTED WHERE HOISTWAY DOORS OCCUR UNTIL THE DUMBWAITER IS INSTALLED & HOISTWAY DOORS ARE SET IN PLACE

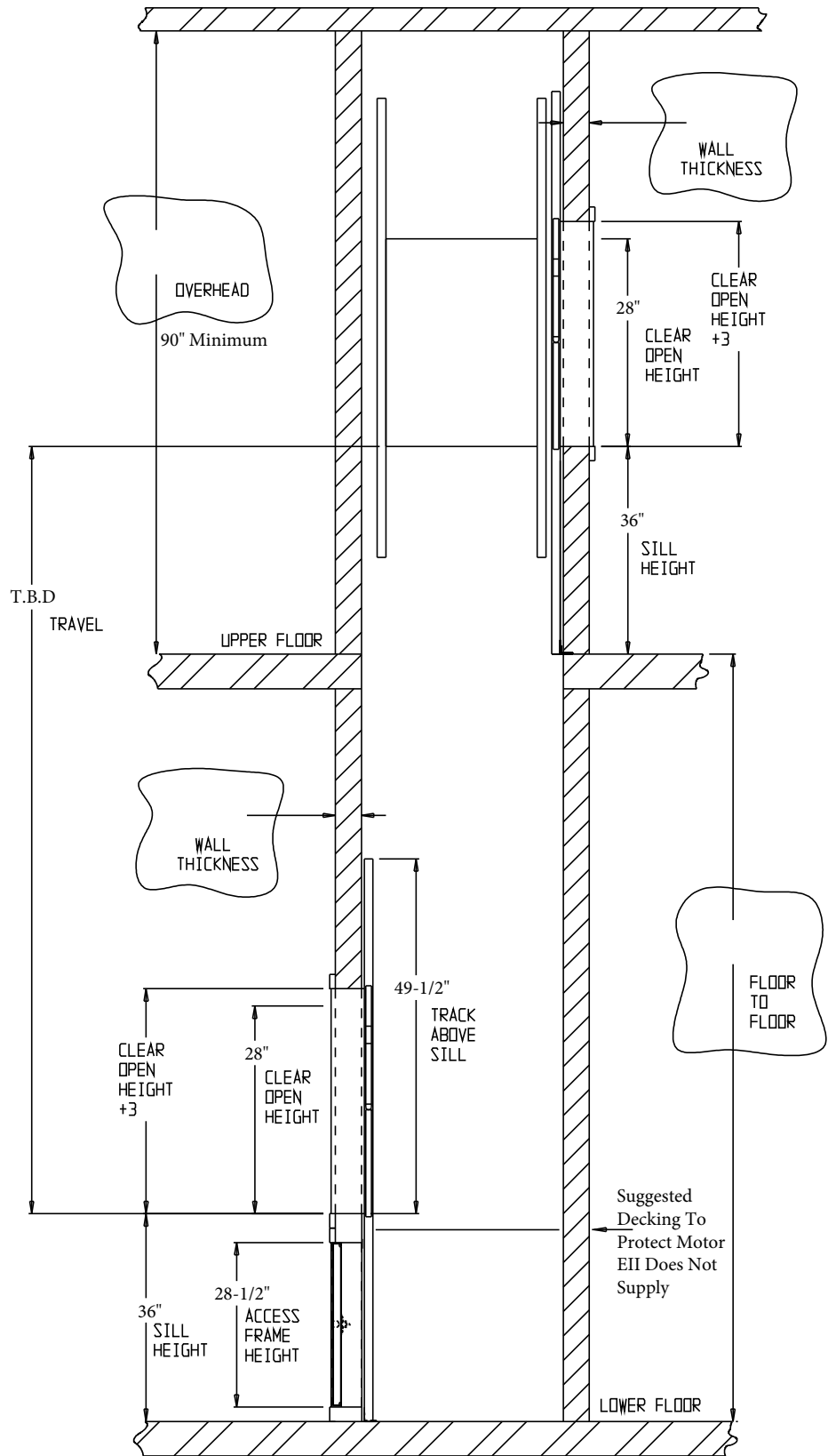
SPECIAL REQUIREMENTS
 DRIVE TYPE: WINDING DRUM
 RATED SPEED: 30 FPM
 CONTROLLER MODEL: INTELI-LIFT
 POWER: 115V 20 AMP


| | | |
|----------|----------|---------|
| CUSTOMER | JOB NAME | SHIP TO |
| | | |

| | | |
|--|-------|--------|
| TITLE: Inteli-Lift 28 x 28 x 28 Front Back with Bi-Parting Gates | | |
| APPROVED | | |
| DATE | SHEET | 1 OF 2 |

Elevation Innovation Inc

TRACK ABOVE SILL = (COH/2) + COH + 7 1/2
 COH IS THE CLEAR OPEN HEIGHT



| | | | | | |
|--|--|----------|--------|---|--|
| CUSTOMER | | JOB NAME | | SHIP TO | |
| TITLE: DUMBWATER SECTION ELEVATION "A-A" | | | | | |
| APPROVED | | SHEET | 2 OF 2 |  Elevation Innovation Inc | |
| DATE | | | | | |