

REVISIONS			
REV	DESCRIPTION	DATE	BY

STOPS: 2 IN-LINE OPP.
 OPENINGS: 2 Upper & Lower
 TRAVEL: TBD RATED LOAD: 250 Lb

HOISTWAY DOORS	<input type="checkbox"/> BI-PARTING	<input type="checkbox"/> DRYWALL CONSTRUCTION
	<input checked="" type="checkbox"/> SWING	<input type="checkbox"/> MASONRY CONSTRUCTION
	<input type="checkbox"/> FLOOR LOADING	<input type="checkbox"/> PLAIN STEEL - PRIMED
	<input type="checkbox"/> STAINLESS SILLS	<input checked="" type="checkbox"/> STAINLESS STEEL - #4
	<input type="checkbox"/> FUSIBLE LINK	<input checked="" type="checkbox"/> COUNTER LOADING
	<input checked="" type="checkbox"/> 1 1/2 HR UL "B" LABEL	
	<input checked="" type="checkbox"/> EMERGENCY RELEASE	
<input checked="" type="checkbox"/> NON-PLUGGABLE INTERLOCK		

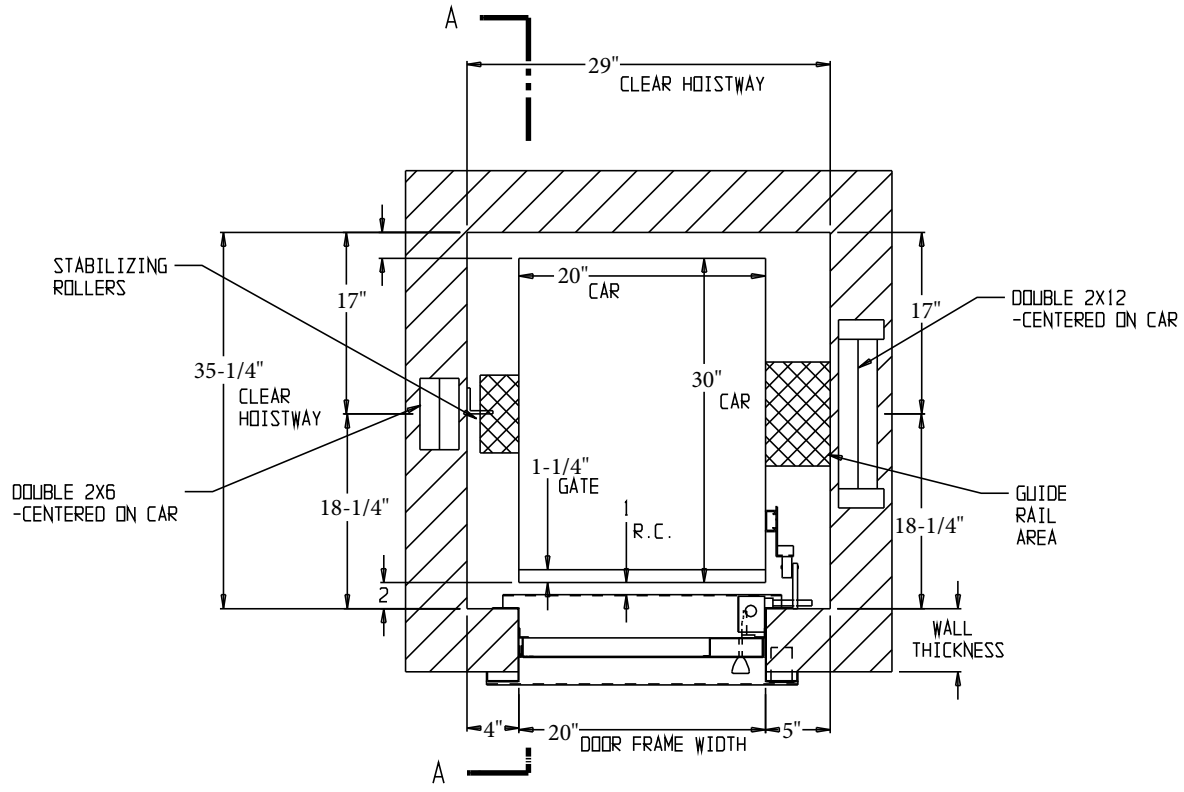
G.A.L. TYPE "SN" DOOR LOCK
 HONEYWELL EMI

JAMB MOUNTED 24V GEN-II KEYPAD
 WITH IN USE AND CAR HERE LIGHTS

CAR GATE	<input type="checkbox"/> PLAIN STEEL	<input checked="" type="checkbox"/> STAINLESS STEEL - #4
	<input checked="" type="checkbox"/> BI-PARTING	<input type="checkbox"/> COLLAPSIBLE
	<input type="checkbox"/> SLIDE-UP	<input type="checkbox"/> ALUMINUM BY EII
ACCESS DOOR	<input type="checkbox"/> PLAIN STEEL	<input type="checkbox"/> STAINLESS STEEL - #4
	<input checked="" type="checkbox"/> 1 1/2 HR UL "B"	<input type="checkbox"/> NONE / BY OTHERS

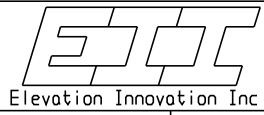
HOISTWAY TO BE BUILT BEFORE DUMBWAITER IS INSTALLED EXCEPT THE WALLS ARE TO BE OMITTED WHERE HOISTWAY DOORS OCCUR UNTIL THE DUMBWAITER IS INSTALLED & HOISTWAY DOORS ARE SET IN PLACE

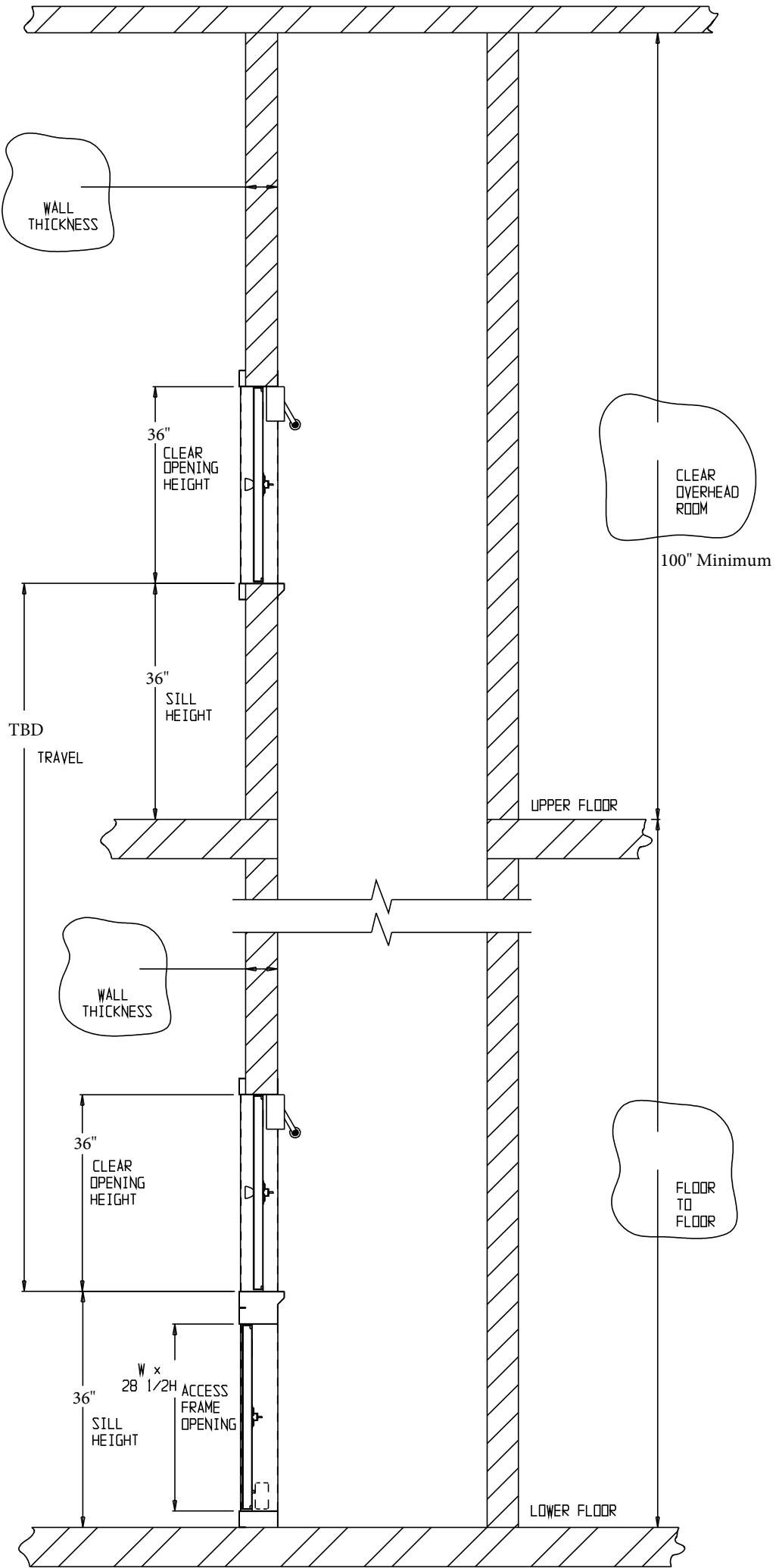
SPECIAL REQUIREMENTS
 DRIVE TYPE: WINDING DRUM
 RATED SPEED: 30 FPM
 CONTROLLER MODEL: INTELI-LIFT
 POWER: 115V 20 AMP

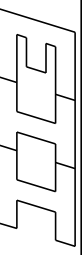


Compliant with all current ASME A17.1 & CSA B44 Code

CUSTOMER	JOB NAME	SHIP TO

TITLE: Inteli-Lift RST 250 20x30x36 Same Side with Bi-parting Gate & Swing Doors		
APPROVED		
DATE	SHEET 1 OF 2	



CUSTOMER		JOB NAME		SHIP TO	
TITLE: DIMWATER SECTION ELEVATION "A-A"					
APPROVED		SHEET	2 OF 2	 Elevation Innovation Inc	
DATE					