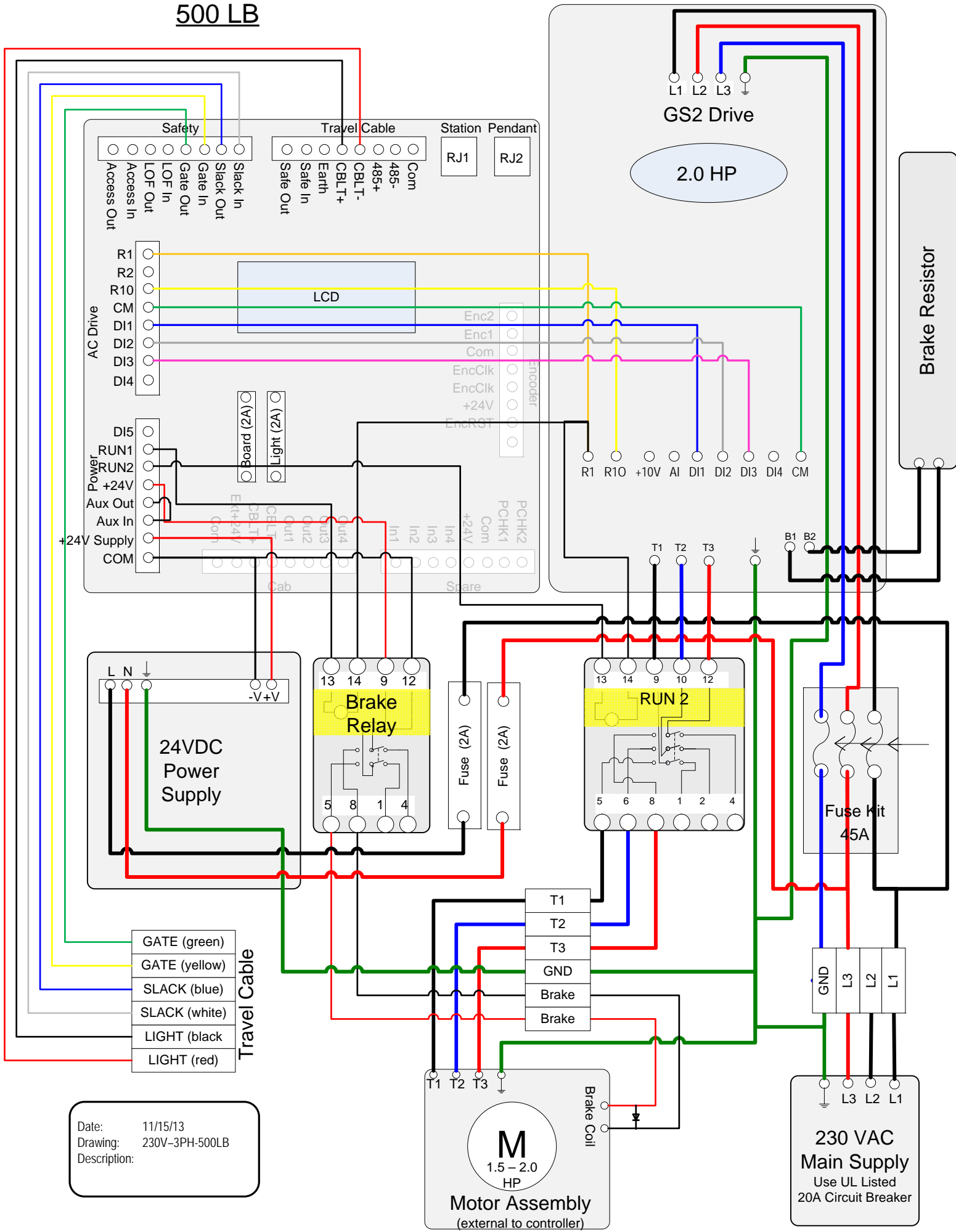


# 230V – 3PH 500 LB



Date: 11/15/13  
 Drawing: 230V-3PH-500LB  
 Description: