

TITLE: INTELL-LIFT 75 DUMBWATER
 DOORS - 90 DEGREES WITH GATES
 18"W x 18"D x 24"H 75 lb. Capacity

REV	DESCRIPTION	DATE	BY

STOPS: 2 90 DEGREES OPP.
 OPENINGS: 2 @ LOWER, UPPER.
 TRAVEL: I.B.O.

<input checked="" type="checkbox"/> 90 DEGREES	<input checked="" type="checkbox"/> DR/WALL CONSTRUCTION
<input type="checkbox"/> FLOOR LOADING	<input type="checkbox"/> MASONRY CONSTRUCTION
<input checked="" type="checkbox"/> DOORS	<input type="checkbox"/> PLAIN STEEL - PRIMED
<input type="checkbox"/> COUNTER LOADING	<input type="checkbox"/> STAINLESS STEEL - #4

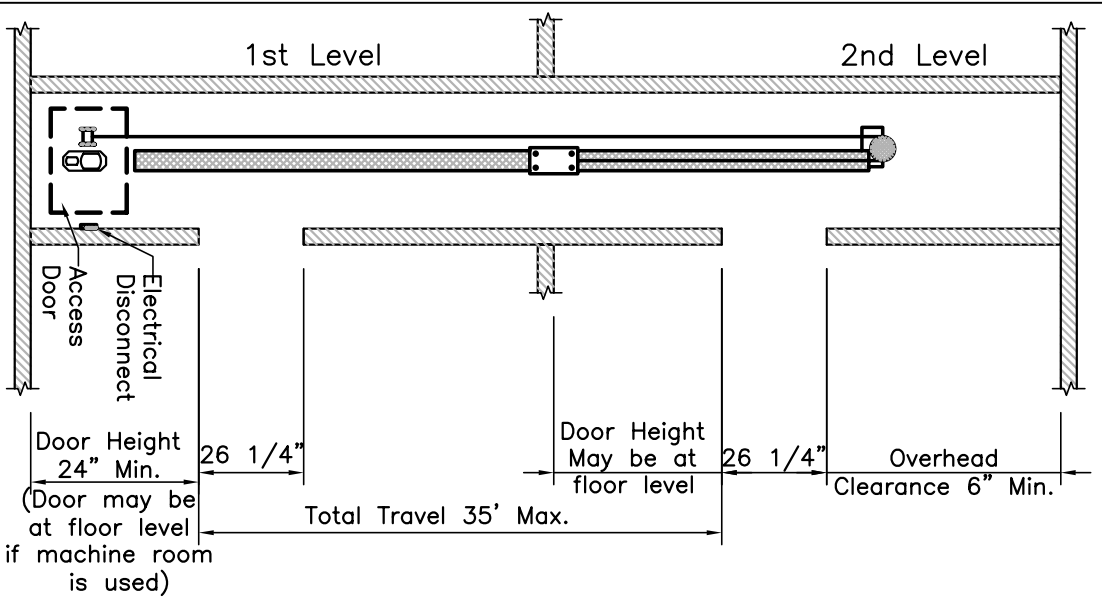
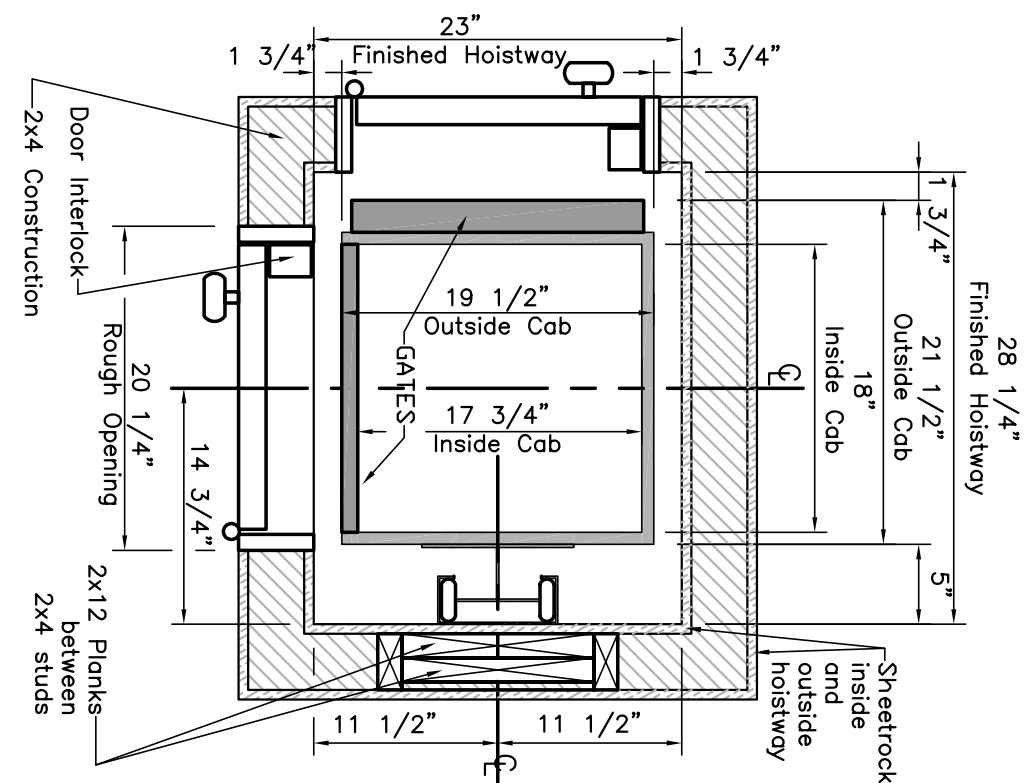
<input checked="" type="checkbox"/> EMERGENCY RELEASE
<input checked="" type="checkbox"/> HG-1 SINGLE CONTACT DOOR LOCK & CONTACT NEMA 1
<input checked="" type="checkbox"/> HG-2 DOUBLE CONTACT INTERLOCK NEMA 1

WALL MOUNTED 24V PUSHBUTTON STATIONS:
 NON-ILLUMINATED ILLUMINATED

BUTTONS: 1 2 3 4 5

CAR GATE	<input checked="" type="checkbox"/> BIRCH WOOD
ACCESS DOOR	<input checked="" type="checkbox"/> SLIDE-UP <input type="checkbox"/> PLAIN STEEL <input type="checkbox"/> WOOD

DUMBWATER CAN BE INSTALLED THRU ROUGH OPENING HOWEVER INSTALLATION IS EASIER IF THE BOTTOM FLOOR DOOR WALL IS LEFT OFF UNTIL UNIT IS INSTALLED.



HOISTWAY: THE HOISTWAY MUST BE IN ACCORDANCE WITH "SAFETY CODE FOR ELEVATORS AND ESCALATORS" (ASME A17.1) AND ALL STATE AND LOCAL CODES.
 PLUMB HOISTWAY: DUE TO CLOSE RUNNING CLEARANCES OWNER/AGENT MUST ENSURE THAT HOISTWAY IS PLUMB, AND SQUARE AND IS IN ACCORDANCE WITH DIMENSIONS ON THESE DRAWINGS.

REINFORCED WALL: THE RAIL WALL MUST BE REINFORCED WITH DOUBLE 2X12 PLANKS AS SHOWN ON THE DRAWINGS. THE MACHINE AND RAIL SYSTEM REQUIRES THESE 2X12 PLANKS FOR SUPPORT.
 MACHINE ROOM: MACHINE ROOM MAY BE LOCATED WITHIN THE HOISTWAY ON THE BOTTOM FLOOR OR IN A CLOSET ADJACENT TO THE HOISTWAY (BEHIND THE RAIL WALL). THE MACHINE ROOM MUST HAVE A LOCKABLE ACCESS DOOR. THIS DOOR MUST REMAINED LOCKED AT ALL TIMES.

POWER SUPPLY: A LOCKABLE FUSED DISCONNECT MUST BE PROVIDED IN ACCORDANCE WITH LOCAL ELECTRICAL CODES. THE SUPPLY MUST BE A 115V, 20A DEDICATED CIRCUIT.
 DOORS: DOORS MUST MEET LOCAL FIRE CODE. INTERLOCK DEVICES ARE PROVIDED AND MUST BE MOUNTED TO DOORS AS DIRECTED IN THE INSTALLATION GUIDE.

CUSTOMER: _____ SHIP TO: _____ APPROVED BY: _____ OPENING: _____ SAME SIDE _____ DWG NO. _____

JOB NAME: _____ DATE APPROVED: _____ SHEET 1 OF 1 DATE: 10/26/09